

A technical diagram of a roof plan. It features a central triangular shape with a dashed yellow border. Inside this triangle, there are two solid lines: a red one and a blue one. The red line forms a triangle with a slightly curved base, while the blue line forms a triangle with a more pronounced curved base. The text 'Roof1' and '287 x 175 [mm]' is centered within the triangle.

Roof1

287 x 175 [mm]



Roof2

497 x 175 [mm]

A technical drawing of a roof cross-section. The drawing shows a triangular roof shape with a dashed yellow outer boundary, a solid blue middle boundary, and a solid red inner boundary. The bottom edge of the roof is curved. The text 'Roof3' and '287 x 175 [mm]' is centered within the drawing.

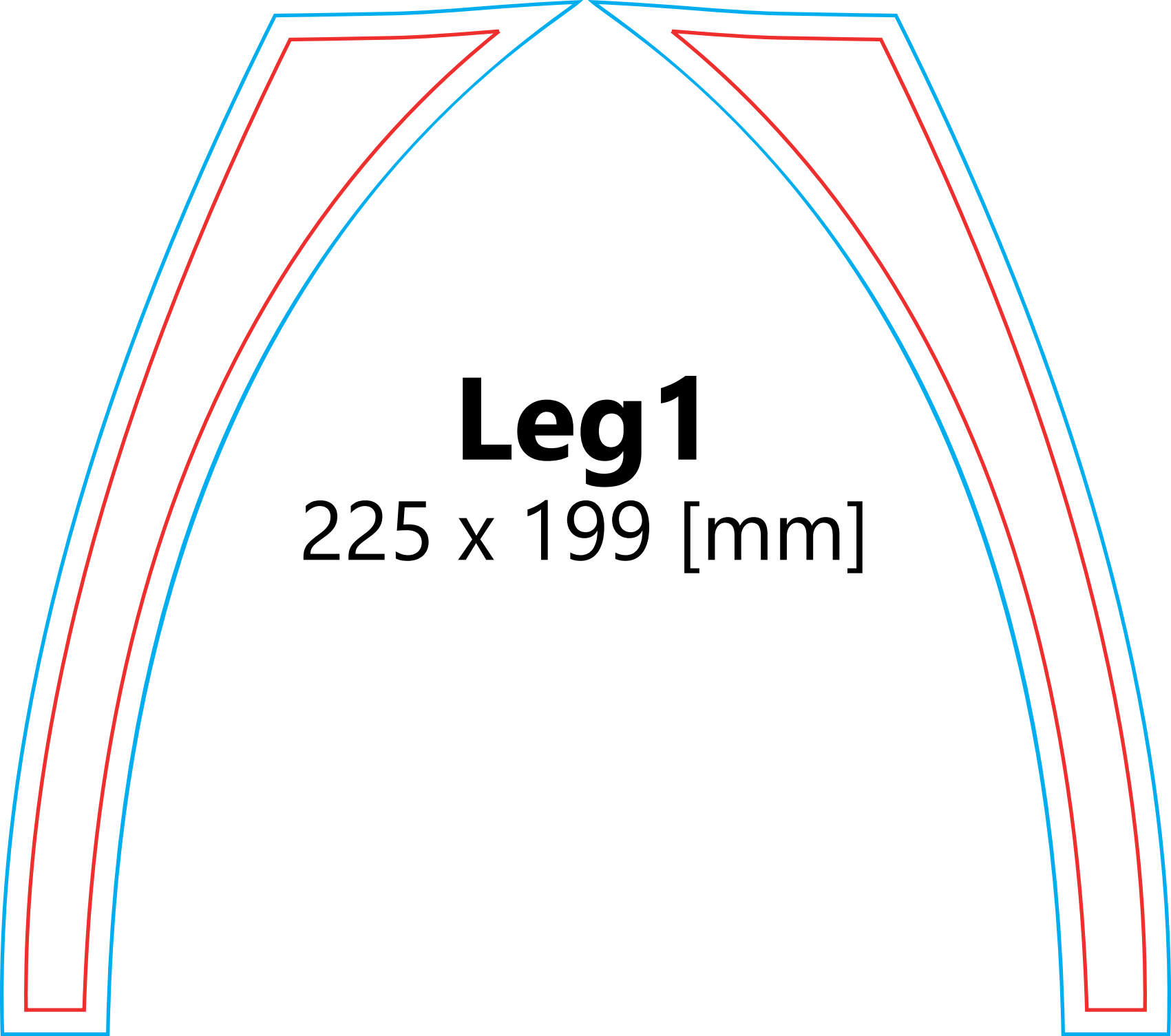
Roof3

287 x 175 [mm]



Roof4

497 x 175 [mm]



Leg1

225 x 199 [mm]



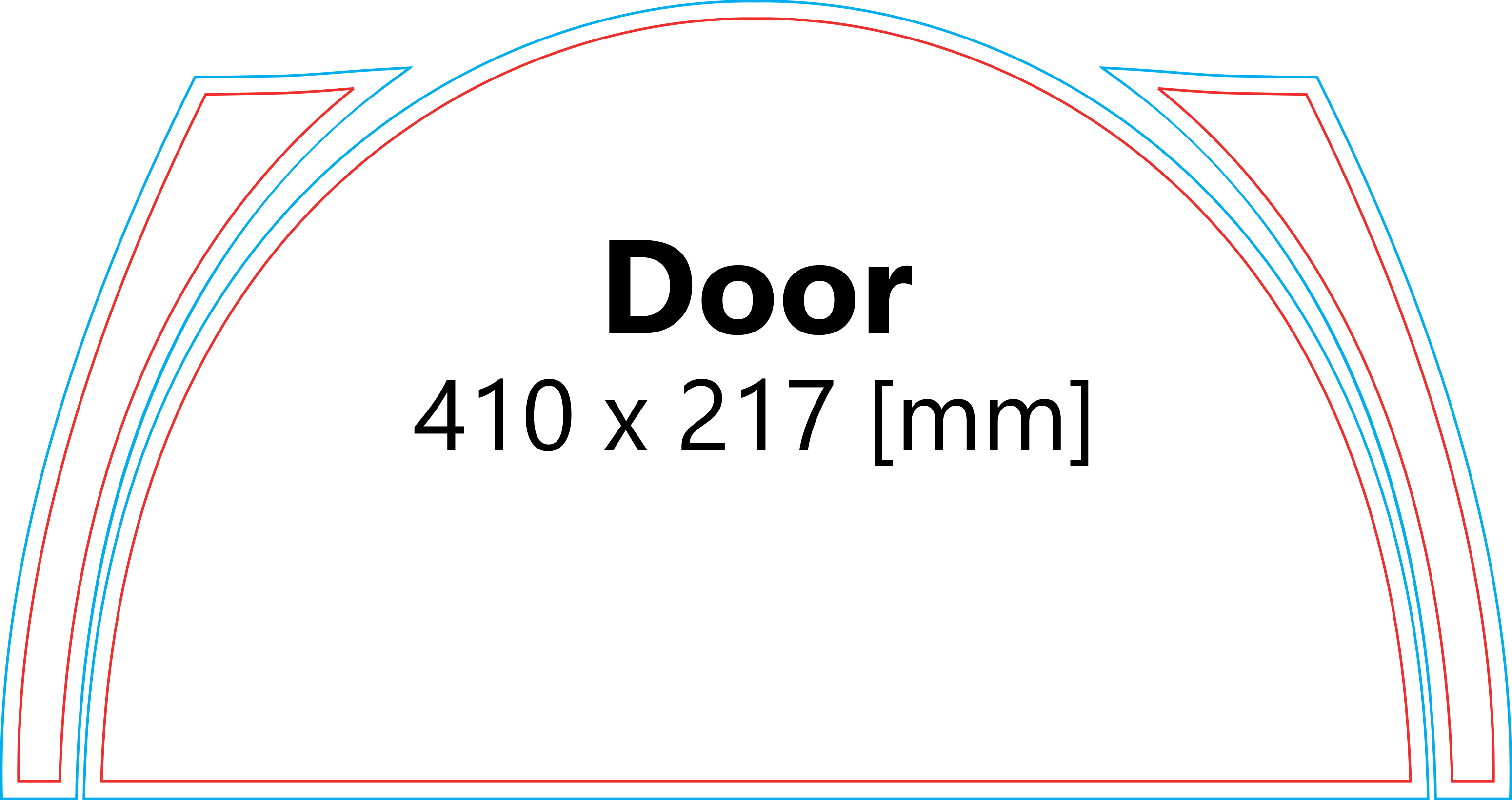
Door

619 x 217 [mm]



Door

410 x 217 [mm]



Door

410 x 217 [mm]